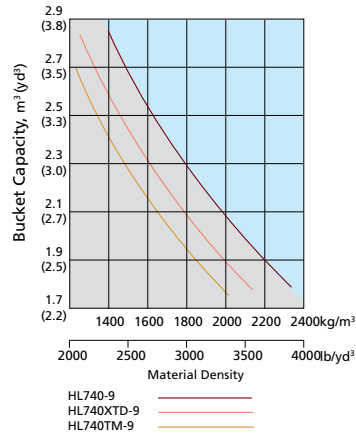


BUCKET SELECTION GUIDE



SUPPLEMENTAL SPECIFICATIONS

Description	Change in operating weight kg(lb)	Change in static tipping load-straight kg(lb)	Change in static tipping load-40° turn kg(lb)
17.5-25 12PR L2	-308 (-679)	-220 (-480)	-190 (-420)
17.5-25 12PR L3	-248 (-547)	-170 (-375)	-150 (-330)
20.5-25 16PR L2	-64 (-141)	-45 (-100)	-40 (-90)
17.5 R25 XHA*	-160 (-353)	-110 (-240)	-100 (-220)
20.5 R25 XHA*	+507 (+1,118)	+360 (+790)	+310 (+680)

STANDARD EQUIPMENT

<p>Electrical system Alternator, 70A Alarms, audible and visual - air filter clogging - transmission error - alternator voltage - brake oil pressure - engine oil pressure - parking brake - fuel level - hydraulic oil temperature - coolant temperature - service brake oil pressure Alarm, back-up Batteries, 820 CCA, 12V, (2) Gauges - engine coolant temperature - fuel level - hydraulic oil temperature - speedometer - transmission oil temperature - voltmeter Horn, electric Indicator lights - clutch cut-off - high beam - turn signal LCD Display - clock and fault code - operating hour counter - engine rpm</p>	<p>- transmission gear range indicator - job time and distance - temperature(coolant, hydraulic oil, T/M oil) Lighting system - 1 LED dome light - 2 stop and tail lights - 4 turn signals - brake lights(counterweight) - 2 head lights on front tower - 2 working lights on front roof - 2 working lights on rear roof Switches - clutch cut-off - hazard - ignition key, start/stop switch - main light(illumination and head light) - parking - rear wiper & washer - work light - battery mater switch - pilot cut-off Starter, electric Starting and charging system (24-volt) Cab Cab, ROPS(ISO3471)/FOPS(ISO3449) (sound suppressed and pressurized) with :</p>	<p>- cigar lighter & ashtray - coat hook Automatic climate control - air conditioner & heater - defroster - intermittent wiper and washer, front and rear - personal storage space: holder, can and cup - rear view mirrors (1 inside) - Rear view mirrors (2 outside) - 2" retractable seat belt & adjustable suspension seat with armrests - tilt / telescopic steering column - steering wheel with knob - roller type sunshade (front window) - tinted safety glass Magazine pocket Pedals - one accelerator pedal - one brake pedal Rubber floor mat Wrist rest Radio/USB player Engine Antifreeze Engine, HYUNDAI HE6.7 - low Emission Diesel, Tier-III</p>	<p>3 operating mode - power/standard/econo Engine enclosure, lockable Engine fuel priming pump Fan guard Fuel/water separator Fuel warmer Muffler, under hood with large exhaust stack Rain cap, engine air intake Radiator (deaeration type) Starting aid (air intake heater) Water sensor on fuel filter Power Train Brakes : Service, enclosed wet-disc Parking brake Torque converter Transmission, computer-controlled, electronic soft shift, auto-shift and quick-shift features included Transmission oil cooler Hydraulics Boom kickout, automatic Bucket positioner, automatic Diagnostic pressure taps Hydraulic system, - 2 spool, single lever, pilot control for boom and bucket actuation Steering, load-sensing Remote cooling fan,</p>	<p>hydraulically-driven, temperature sensing type Others Articulation locking bar Coolant level sight gauge Counterweight Door and cab locks, one key Doors, service access(locking) Drawbar with pin Engine oil level dipstick gauge Ergonomically located and slip resistant, left & right - handrails - ladders - platforms - steps Fenders(front/rear) Guard, bucket cylinder rod Hydraulic oil level sight gauge License plate bracket Lift and tie-down hooks Steering stops, cushioned Tires(20.5-25, 16PR,L3) Transmission oil site level Vandalism protection caplocks</p>
---	--	--	---	--

OPTIONAL EQUIPMENT

<p>24-volt to 12-volt DC converter Climate control : - air conditioner only - heater only Beacon light, rotating Auxiliary, 2 working lights on front roof (Xenon working lights) Auxiliary, 2 working lights on rear roof 3 piece cutting edge, bolt-on type Secondary steering system</p>	<p>Fire extinguisher High lift arrangement with additional counterweight, 900 kg (1,980 lb) Hydraulic control, 2 lever Hydraulic control, 3 lever 3rd spool for auxiliary function Joystick with travel switch(FNR) Mud guard Operator suit Ride control system Heated rear view mirrors (2 outside)</p>	<p>Seat - 2" static seat belt & adjustable mechanical suspension(vinyl) - 3" static seat belt & adjustable mechanical suspension - 2" retractable seat belt & adjustable air suspension (heated)</p>	<p>Tires : - 17.5 - 25, 12PR, L2 - 17.5 - 25, 12PR, L3 - 20.5 - 25, 16PR, L2 - 17.5 R25 XHA - 20.5 R25 XHA - 23.1 - 26, 16PR, LS2 Tool kit Tooth, 1 piece, bolt-on type Guards - crankcase - transmission</p>	<p>Wheel chock HI-Mate (Remote Management System) Rear view camera Dual-brake pedal Roller type sunshade (rear window) License plate & lamp Pre-cleaner engine air intake Limited slip differential(front / rear) Heavy duty rear axle</p>
---	--	--	---	--

Standard and optional equipment may vary. Contact your Hyundai dealer for more information. The machine may vary according to International standards. All imperial measurements rounded off to the nearest pound or inch.

PLEASE CONTACT

HYUNDAI CONSTRUCTION EQUIPMENT

Head Office (Sales office)
First tower, 55, Bundang-ro, Bundang-gu, Seongnam-si, Gyeonggi-do, Korea

MOVING YOU FURTHER

HL740-9

With Tier 3 Engine installed



*Photo may include optional equipment.

Pride at Work

Hyundai Heavy Industries strives to build state-of-the-art earthmoving equipment to give every operator maximum performance, more precision, versatile machine preferences, and proven quality. Take pride in your work with Hyundai!



*Photo may include optional equipment.

HL740-9

Machine Walk-Around

Reliable Main Components

Engine Technology

Proven, reliable, fuel efficient, low noise HYUNDAI HE 6.7 engine.
Electronically controlled for optimum fuel to air ratio and clean, efficient combustion.
HPCR(High Pressure Common Rail) fuel system / Self-diagnostic system.
3 engine modes, P (Power), S (Standard), E (Economy) for full power or reduced fuel consumption according to operator preference.

Fully Automatic Transmission

4 step(Manual / Light / Normal / Heavy) shift mode by working condition.
Protective transmission at low temperature(Automatic warm-up system).
Self-diagnostic & Memory of malfunction history.
Minimum travel shift shock by applying proportional controlling modulation valve / Self adjusting clutch gap.
Kick-down button & FNR switch for operating comfort.

Axles

Limited slip differential(front & rear) for easy driving on variable ground condition(opt.)
Self adjusting brake & wheel speed brake.

Improved Durability

Load sensing hydraulic system with variable displacement piston pump and closed-center MCV (main control valve).
Long-life cooling system, designed for additional durability, resistant to thermal shock, impulse and vibration.
Redesigned steering cylinder lug, now cast steel for additional strength and reliability.

Enhanced Operator Comfort

Improved Visibility

Larger operator's cab for additional comfort.
Redesigned cab with rounded front glass and larger door glass for a larger field of view.

Improved Convenience

Increased cooling & heating capacity with fully automatic climate control system.
Tilting & telescopic steering column.
Adjustable wrist rest for reduced operating stress.
Multiple storage compartments.
AM/FM Radio with MP3 interface and USB input.
Improved ladder with 20 Degree incline and large, deep tread, aluminum cast steps for safer access and exit from the cab.

Advanced 5.7" Color Monitor

Easy-to-read new color LCD display.
Auto boom kick out and bucket positioner - fully adjustable from within the cab.
Integrated load weighing system, viewable through the monitor, for improved work efficiency and overload prevention.
Self diagnostic & monitoring system with active display of engine, hydraulic system, transmission and electrical component information.
Color, rear-view, back-up camera for improved safety and convenience.

Serviceability

Reversible remote cooling fan for the minimum fuel consumption and low noise.
Ground level of service points and sight gauges for easy maintenance.
Extended life of hydraulic filter & oil to reduce operating costs.

Operator Comfort

Operating a 9 series wheel loader is unique to every operator. Operators can fully customize their work environment and operating preferences to fit their individual needs.



*Photo may include optional equipment.



Spacious and Convenient Cab

The newly designed cabin was conceived for more space, a wider field of view and operator comfort. The front glass is rounded and 17% wider than the previous 7A series. Special attention was given to a clean, open and convenient interior with plenty of visibility on the machine surroundings and the job at hand. This well balanced combination of cab ergonomics puts the operator in the perfect position to work safely and securely. The 9 series cab's fully automatic climate control system features 11 air vents and increased cooling and heating capacity for optimum temperature control. The defroster vents located on the front and rear windows and a PTC (electric pre-heater) make working in cold weather more hospitable.

Operator Comfort

In the 9 series cabin you can easily adjust the steering column and wrist rest to best suit your preferred comfort level. Pilot-operated joystick controls are easy and comfortable to operate. An FNR (Forward/Neutral/Reverse) switch on the control lever facilitates easy selection of travel direction. Roller type sunshades on the front window and rear window allow the operator to reduce glare and improve visibility. Heated side mirrors feature built-in hot wires for quick defrosting during cold weather conditions.



Tilting / telescopic steering column

Reduced Stress

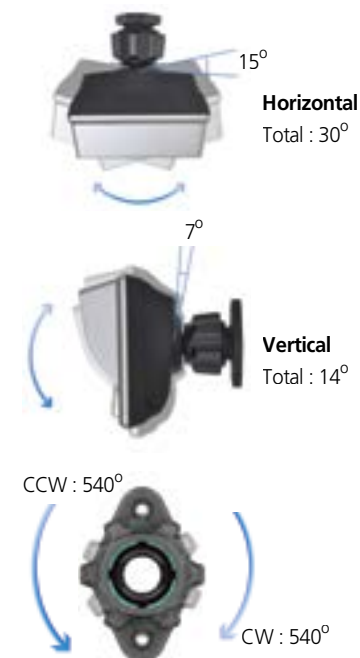
Work is stressful enough. Your work environment should be stress free. Hyundai's 9 series cabin offers lots of amenities, additional space and a comfortable seat to minimize stress to the operator. A powerful climate control system provides the operator with optimum air temperature. An advanced audio system with AM/FM stereo with MP3 interface and USB input, plus remotely located controls is perfect for listening to music favorites.

Advanced Color Monitor



The advanced new monitor with 5.7 inch wide color LCD screen allows the operator to easily and efficiently control the machine. The operator can adjust boom kick-out and bucket position via switches overhead while monitoring the adjustment settings through the monitor. An integrated load weighing system that contributes to improved work efficiency, can also be viewed through the monitor. Self diagnostics, color rear-view camera maintenance check lists and start-up machine security, were integrated into the monitor to make the machine more versatile and the operator more productive. The new monitor display unit is mounted on an adjustable swivel mount to reduce glare and position according to operator preference.

Monitor Tilt Range



Precision & Performance

Innovative hydraulic system technologies make the 9 series wheel loader fast, smooth and easy to control. 9 series wheel loaders are designed for maximum performance to keep the operator working productively.



*Photo may include optional equipment.

Improved Durability & Reliability



An enhanced axle improves driving over variable ground conditions. Self adjusting brakes that automatically regulate disc clearance, reduce service time and improve brake reliability and performance. The new load sensing hydraulic system with a variable volume piston pump and closed center main control valve, provide efficient hydraulic power and additional energy savings. Service and clean-out are easier on the 9 series, now equipped with a completely redesigned, parallel-mounted, cooler configuration and non louvered fins to prevent clogging. All coolers are designed with aluminum bar plate configuration and undergo strict factory tests for thermal shock, impulse and vibration to assure long term durability. Top mounted non-louvered aluminum air condenser and variable displacement A/C compressor are designed for maximum cooling capacity, energy savings and easy clean-out. Additionally, the redesigned steering cylinder lug is now cast steel for additional strength and reliability.

Variable Operating Modes



9 series wheel loaders are designed to allow the operator to customize the machine's engine power, automatic transmission shift timing and clutch cut-off activation based on the job condition and personal operator preference. Convenient rotary type switches allow for easy adjustment of engine power mode, transmission power shift mode, and clutch cut-off mode. Additionally, if equipped with the optional ride control system, the operator has the option to turn the system on or off with an overhead switch. The ride control system has a shock absorbing accumulator that cushions the boom, improves operator comfort and reduces material loss. The versatility of the 9 series operating modes contributes to improved productivity, enhanced operator comfort and reduced fuel consumption.



3 Mode Engine Power Selection
 P(Power) Mode : Heavy duty work
 S(Standard) Mode : General work
 E(Economy) Mode : Light duty work

4 Mode Transmission Power Shift System
 M(Manual) Mode
 Auto L(Light) Mode : Light duty & long distance carry
 Auto N(Normal) Mode : General excavating & loading
 Auto H(Heavy) Mode : Heavy duty excavating & loading

3 Mode Clutch Cut-Off System
 L(Low) Mode : Short distance & faster loading
 M(Medium) Mode : General loading
 H(High) Mode : Slope ground



Eco-friendly
HYUNDAI HE 6.7 ENGINE

HYUNDAI HE 6.7 engine combines advanced electronic controls and a self-diagnostic system with reliable performance. The combination of a high pressure common rail system and an advanced in-cylinder combustion technology results in increased power, improved transient response and reduced fuel consumption. HYUNDAI HE 6.7 engine complies with current emissions standards including EPA Tier3 and EU Stage III-A.



Fully Automatic
Transmission

Fully automatic transmission designed for maximum durability, minimum power loss, improved travel speed and low noise. Improved clutch control and minimized shifting shock when traveling, contribute to a smoother ride. Error messages and transmission fault history are recorded and accessible through the monitor.

Profitability

The 9 series is designed to maximize profitability through improved efficiencies, enhanced service features and longer life components.



Hi-MATE (Remote Management System)

Hi-MATE, Hyundai's proprietary remote management system, provides operators and dealer service personnel access to vital service and diagnostic information on the machine from any computer with internet access. Users can pinpoint machine location using digital mapping and set machine work boundaries, reducing the need for multiple service calls. Hi-MATE saves time and money for the owner and dealer by promoting preventative maintenance and reducing machine downtime.



Remote-mounted Cooling Fan

The remote mounted, hydraulically powered cooling fan regulates fan speed according to working temperatures for coolant, intake air, transmission oil and hydraulic oil. This new fan design contributes to reduced fuel consumption and machine noise. The fan is designed to auto reverse periodically or manually reverse to keep debris from accumulating on the coolers.



Easy Access

The engine fan is integrated into the rear door which swings open to over 45 degrees for easy access and regular maintenance. Conveniently located coolant and transmission oil site gauges make checking fluid levels fast and efficient. Ground-line access to fuel and oil filters grease fittings, fuses, machine computer components and wide open compartments makes service more convenient on the 9 series.



Full Fenders and Mud Guards (Option)

9 series wheel loaders can be equipped with optional full rear fenders and front and rear mud flaps to reduce material splatter to the cab and machine frame.



Hydraulic filter
(1,000 hr)



Hydraulic Oil
(5,000 hr)

Extended Life Components

The 9 series is designed for longer lubrication intervals and extended component life. Long life hydraulic filters now have 1,000 hours service intervals and Hyundai certified hydraulic oil can last up to 5,000 hours before changing. Also, a new center pivot roller bearing design, now double tapered, requires less maintenance as well. Long life and extended wear components save the operator time and money.

*Photo may include optional equipment.

Specifications & Dimensions

ENGINE

Maker/Model	HYUNDAI HE 6.7 ENGINE	
Type	Watercooled, 4-cycle, turbocharged, charge aircooled direct injection, electronic controlled diesel engine	
Gross power	145 HP(108 kW) / 2,100rpm	
Net power	143 HP(107 kW) / 2,100rpm	
Max. power	146 HP(109 kW) / 1,800~2,000rpm	
Maximum torque	69 kg·m(499 lb-ft) / 1,400rpm	
No. of cylinders	6	
Bore x Stroke	107 mm (4.21") x 124 mm (4.88")	
Displacement	6.7ℓ (409 cu in)	
Compression ratio	17.2 : 1	
Air cleaner	Dry, Two stages dual elements	
Alternator	24V, 70 Amp	
Battery	2 x 12V, 100 Ah.	
Starting motor	24V, 4.8 kW	

※ No derating for continuous operating required up to 3,048m (10,000ft). This engine meets the EPA(Tier III) / EU(Stage III-A) Emission regulation.

TRANSMISSION

Torque converter type	3-elements, single-stage single-phase
Tire	20.5-25, L3

※Full automatic power shift, countershaft type with soft-shift in range and direction. Properly matched torque converter to engine and transmission for excellent working ability.

Travel speed		km/h (mph)
Forward	1st	6.7(4.2)
	2nd	12.2(7.6)
	3rd	23.8(14.8)
	4th	39.0(24.2)
Reverse	1st	7.1(4.4)
	2nd	12.9(8.0)
	3rd	25.1(15.6)

AXLES

Drive system	Four-wheel drive system
Mount	Rigid front axle and oscillating rear axle
Rear axle oscillation	±12° (total 24°)
Hub reduction	Planetary reduction at wheel end
Differential	Conventional
Reduction ratio	22.0

HYDRAULIC SYSTEM

Type	Load-sensing hydraulic system		
Pump	Variable axial piston type, 163 liters/min (43.1 gal/min)		
Control valve	2spool (Bucket, Boom) 3spool (Bucket, Boom, Aux) Pilot pressure controlled type System pressure : 280 kgf/cm ² (3.982PSI)		
Bucket Controls	Type	Pilot operated lift and tilt circuit, single-lever(joystick) control standard.	
	Lift Circuit	The valve has four functions ; raise, hold, lower and float. Can adjust automatic kickout from horizontal to full lift.	
	Tilt Circuit	The valve has three functions ; tilt back, hold and dump. Can adjust automatic bucket positioner to desired load angle.	
Cylinders	Type : Double acting No. of cylinders-bore x stroke;		
Lift	HL740-9/740XTD-9/740TM-9	2-ø110 mm x 738 mm(4.3" x 29.5")	
Tilt	HL740-9/740XTD-9 HL740TM-9	ø125 mm x 505 mm(4.9" x 19.9") 2-ø95 mm x 745 mm(3.7" x 29.3")	
Cycle Time	HL740-9 / HL740XTD-9	HL740TM-9	
	Raise(with load)	5.5 sec	5.5 sec
	Dump	1.1 sec	1.6 sec
	Lower(empty)	3.0 sec	3.0 sec
	Total	9.6 sec	10.1 sec

AIR CONDITIONING SYSTEM

The air condition system for the machine contains the fluorinated greenhouse gas with global warming potential of R134a. (Global Warming Potential : 1430) The system hold 0.75kg refrigerant consisting of a CO₂ equivalent 1.07kg metric tonne. For more information, Please refer to the manual.

BRAKES

Service Brakes	Hydraulically actuated, wet disc brakes actuate all 4 wheels independent axle-by-axle system Self adjusting & in board brake
Parking Brake	Spring-applied, hydraulically released brake in Front Axle
Emergency Brake	When brake oil pressure drops, indicator light alerts operator and parking brake automatically applies.

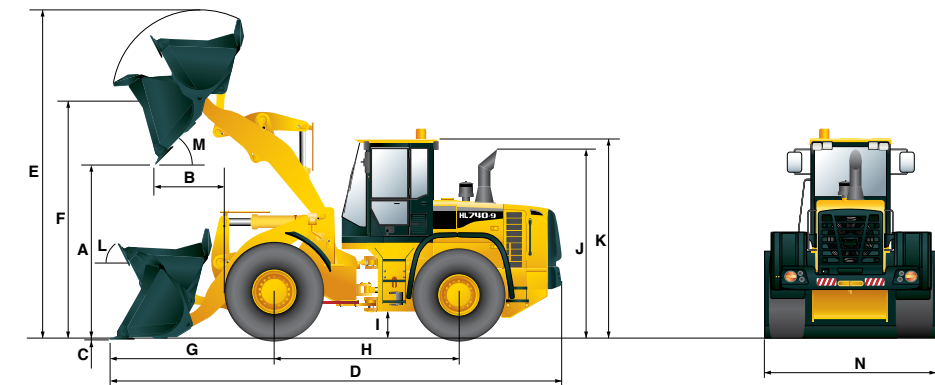
SERVICE REFILL CAPACITIES

Fuel tank	220 liters (58.1 USgal)
Cooling system	34 liters (9.0 USgal)
Crankcase	18 liters (4.8 USgal)
Transmission	25 liters (6.6 USgal)

OVERVIEW

Description	UNIT	HL740-9	HL740XTD-9	HL740TM-9
Operating weight	kg (lb)	12,000 (26,460)	12,300 (27,100)	12,600 (27,780)
Bucket capacity	Heaped	m ³ (yd ³) 2.3 (3.0)	2.3 (3.0)	2.3 (3.0)
	Struck	m ³ (yd ³) 2.0 (2.6)	2.0 (2.6)	2.0 (2.6)
Breakout force-bucket	kg (lb)	11,250 (24,800)	11,090 (24,450)	10,830 (23,880)
Tipping load	Straight	kg (lb) 9,600 (21,160)	8,580 (18,920)	7,950 (17,530)
	Full turn	kg (lb) 8,300 (18,300)	7,440 (16,400)	7,000 (15,430)

DIMENSIONS



Description	UNIT	HL740-9	HL740XTD-9	HL740TM-9
Bucket Type	General purpose bolt-on cutting edge			
A. Dumping clearance at max. height and 45° dump angle.	mm (ft-in)	2,785 (9' 2")	3,210 (10' 6")	2,840 (9' 4")
B. Reach	Full lift	mm (ft-in) 1,025 (3' 4")	1,020 (3' 4")	1,330 (4' 4")
	7ft height	mm (ft-in) 1,530 (5')	1,890 (6' 2")	1,805 (5' 11")
C. Digging depth	mm (in)	90 (3.5")	130 (5.1")	100 (3.9")
D. Overall length	on ground	mm (ft-in) 7,380 (24' 3")	7,830 (25' 8")	7,660 (25' 2")
	at carry	mm (ft-in) 7,320 (24')	7,780 (25' 6")	7,460 (24' 6")
E. Overall height (fully raised)	mm (ft-in)	5,120 (16' 10")	5,540 (18' 2")	5,260 (17' 3")
F. Bucket pivot max. height	mm (ft-in)	3,820 (12' 6")	4,240 (13' 11")	3,980 (13' 1")

STEERING SYSTEM

Type	Load-sensing hydrostatic articulated steering	
Pump	Piston pump, 163 ℓ /min (43.1 gal/min)@governed rpm	
Relief Valve Setting	210 kg/cm ² (2,986 psi)	
Cylinder	Type	Double acting
	Bore x Stroke	65mm x 429mm(2.6" x 16.9")
Steering Angle	40°(each direction)	

Features
- Center-point frame articulation. - Tilt and telescopic steering column.

Front axle	21.8 liters (5.8 USgal)
Rear axle	21.8 liters (5.8 USgal)
Hydraulic tank	152 liters (40.2 USgal)
Hydraulic system (including tank)	184 liters (48.6 USgal)

TIRES

Type	Tubeless, loader design tires
Standard	20.5-25, 16 PR, L3
Options include	17.5-25, 12 PR, L3
	20.5-25, 16 PR, L2
	20.5 R25 XHA*
	20.5-25, 16 PR, L5 23.1-26, 16PR, LS 2